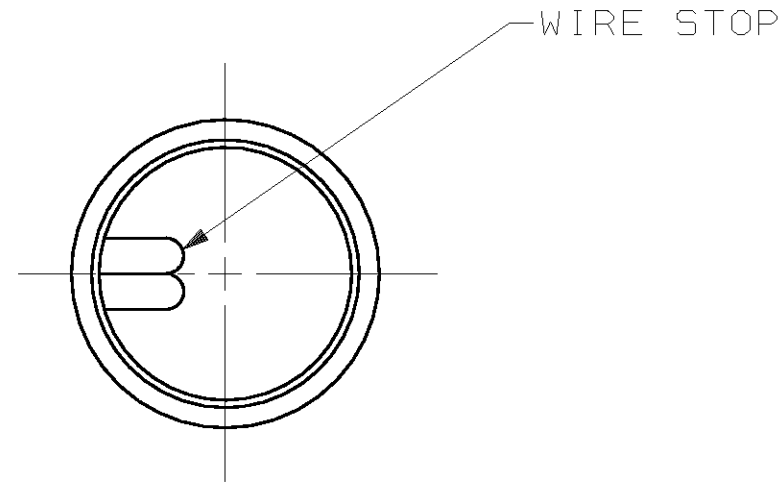
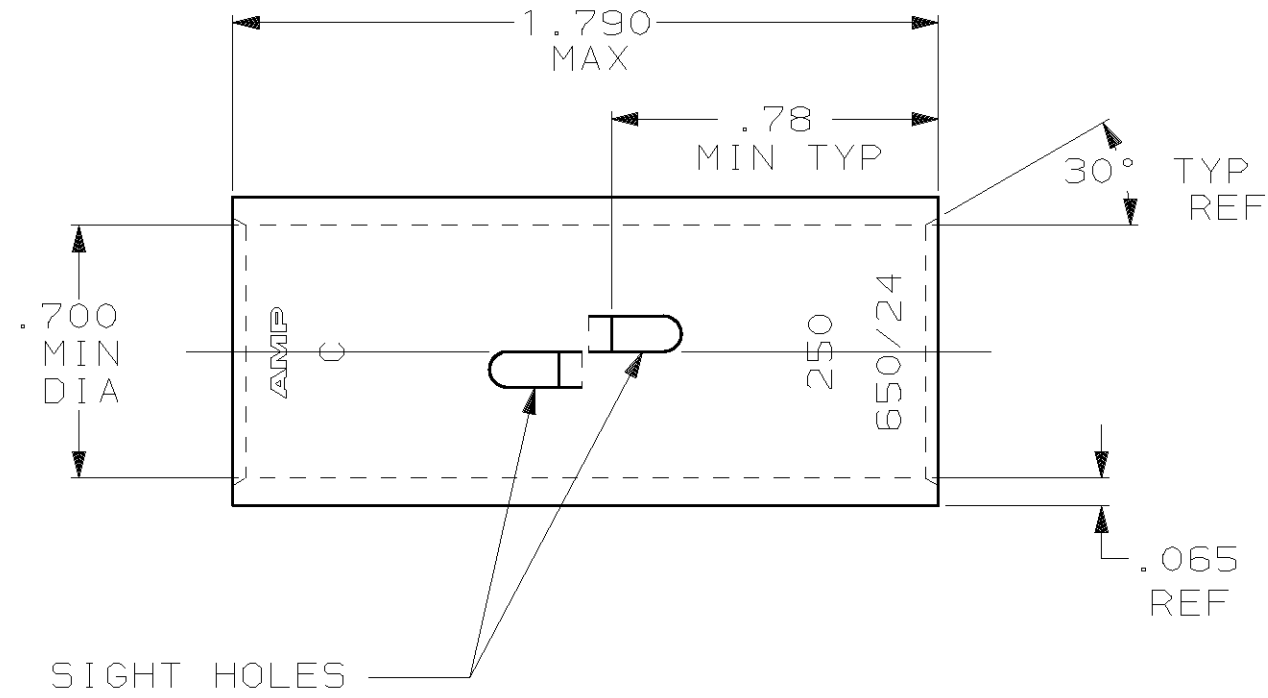


THIS DRAWING IS UNPUBLISHED. RELEASED FOR PUBLICATION, 19 .
 © COPYRIGHT 19 BY AMP INCORPORATED. ALL INTERNATIONAL RIGHTS RESERVED.

LOC	DIST	P	F	REVISIONS				
G	86			ZONE	LTR	DESCRIPTION	DATE	APPD
					N	REV PER OG3A-0637-01	030CT02	JR/MS



1 TIN PL .000150 MIN THK PER ASTM B 545

231 - 275 MCM	CLEANED	COPPER ASTM-B-75 ANNEALED	1-324462-0
	△		324462
WIRE RANGE	FINISH	MATERIAL	PART NO
DO NOT SCALE PRINT. UNLESS SPECIFIED DIMENSIONS IN INCHES TOLERANCES ON: 2 PLC DEC ± - 3 PLC DEC ± - ANGLES ± -	DR 4/24/89 DK SCHRUM CHK 4/24/89 MS FEHER	AMP AMP INCORPORATED Harrisburg, Pa. 17105	NAME SPLICE, BUTT, AMPPOWER WIRE SIZE: 250 MCM
MATERIAL SEE TABLE	APPD 11/8/89 WJ VOCKROTH APPD 11/8/89 TL SHUTTER PRODUCT SPEC -		
FINISH SEE TABLE	APPLICATION SPEC -	SIZE B	FSCM NO 00779
	WEIGHT .090 LB.	SCALE 2:1	DRAWING NO 324462
		SHEET	1 OF 1